
3 Parts and diagrams

- [Order parts by authorized service providers](#)
- [How to use the parts lists and diagrams](#)
- [Assembly locations](#)
- [Covers, panels, and doors](#)
- [Internal assembly](#)
- [PCAs](#)
- [Alphabetical parts list](#)
- [Numerical parts list](#)

Order parts by authorized service providers

Order replacement parts

Table 3-1 Order parts, accessories, and supplies

Order supplies and paper	www.hp.com/go/suresupply
Order genuine HP parts or accessories	www.hp.com/buy/parts
Order through service or support providers	Contact an HP-authorized service or support provider.

Related documentation and software

Table 3-2 Related documentation and software


Item	Description	Part number
<i>HP LaserJet Pro CP1020 Color Printer Series User Guide</i>	Product user guide.	CE913-90901
<i>HP LaserJet Pro CP1020 Color Printer Series Service Manual</i>	English service manual (this manual)	CE913-90943

Supplies part numbers

Table 3-3 Supplies part numbers

Item	Cartridge number	Color	Part number, new	Part number, service
HP LaserJet print cartridge	126	Black	CE310A	CE310-67901
		Cyan	CE311A	CE311-67901
		Yellow	CE312A	CE312-67901
		Magenta	CE313A	CE313-67901
Imaging drum			CE314A	CE314-67901
Imaging drum cover				CE314-67902

Service parts

 **NOTE:** The parts in the following table are not shown in the assembly illustrations in this chapter.

Item	Description	Part number
HP jewel	HP logo	7121-8266
Regulatory label	Blank label	5969-9497

Whole-unit replacement part numbers


 **NOTE:** Whole-unit replacement products include the formatter PCA.

Table 3-4 Whole-unit replacement part numbers

Item	Description	Part number
HP LaserJet Professional CP1025 Color Printer series	110 V	CE913-67001 (new)
		CE913-69001 (exchange)
	220 V	CE913-67002 (new)
		CE913-67002 (new; China)
		CE913-69002 (exchange)
		CE913-69003 (exchange; China)
HP LaserJet Professional CP1025nw Color Printer series	110 V	CE914-67001 (new)
		CE914-69001 (exchange)
	220 V	CE914-67002 (new)
		CE914-67003 (new; China)
		CE914-69002 (exchange)
		CE914-69003 (exchange; China)

How to use the parts lists and diagrams

△ **CAUTION:** Be sure to order the correct part. When looking for part numbers for electrical components, pay careful attention to the voltage that is listed. Doing so will make sure that the part number selected is for the correct model.

📄 **NOTE:** In this manual, the abbreviation “PCA” stands for “printed circuit-board assembly.” Components described as a PCA might consist of a single circuit board or a circuit board plus other parts, such as cables and sensors.

The figures in this chapter show the major subassemblies in the product and their component parts. A parts list table follows each exploded view assembly diagram. Each table lists the item number, the associated part number, and the description of each part. If a part is not listed in the table, then it is not a field replacement unit (FRU).

Assembly locations

Base product (no optional trays or accessories)

Figure 3-1 Base product (no optional trays or accessories)

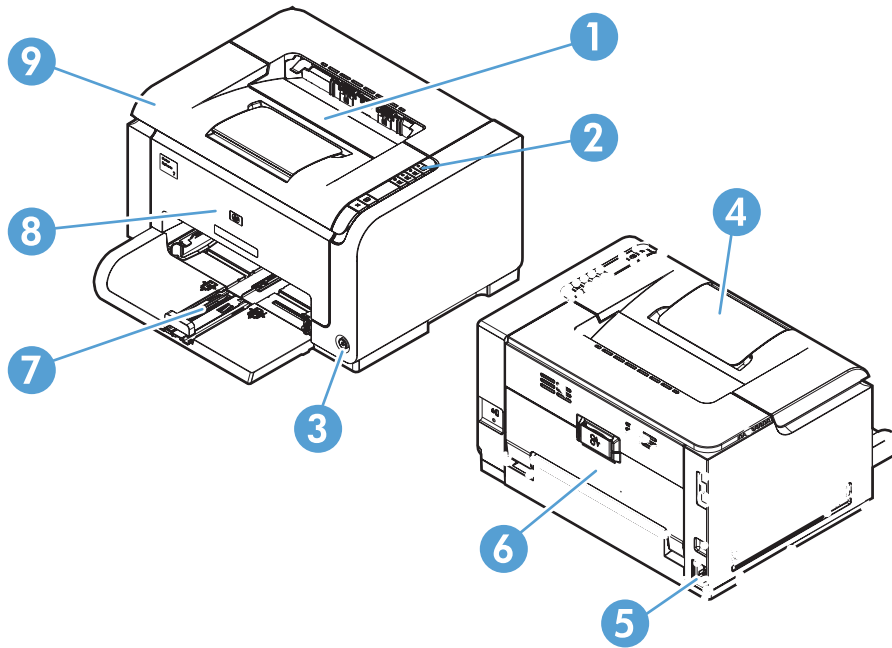


Table 3-5 Base product

Item	Description	Item	Description
1	Face-down output bin	6	Rear door assembly
2	Control panel	7	Input tray
3	Power switch	8	Front door
4	Extension tray	9	Top door assembly
5	Power receptacle		

Covers, panels, and doors

Figure 3-2 Covers, panels, and doors

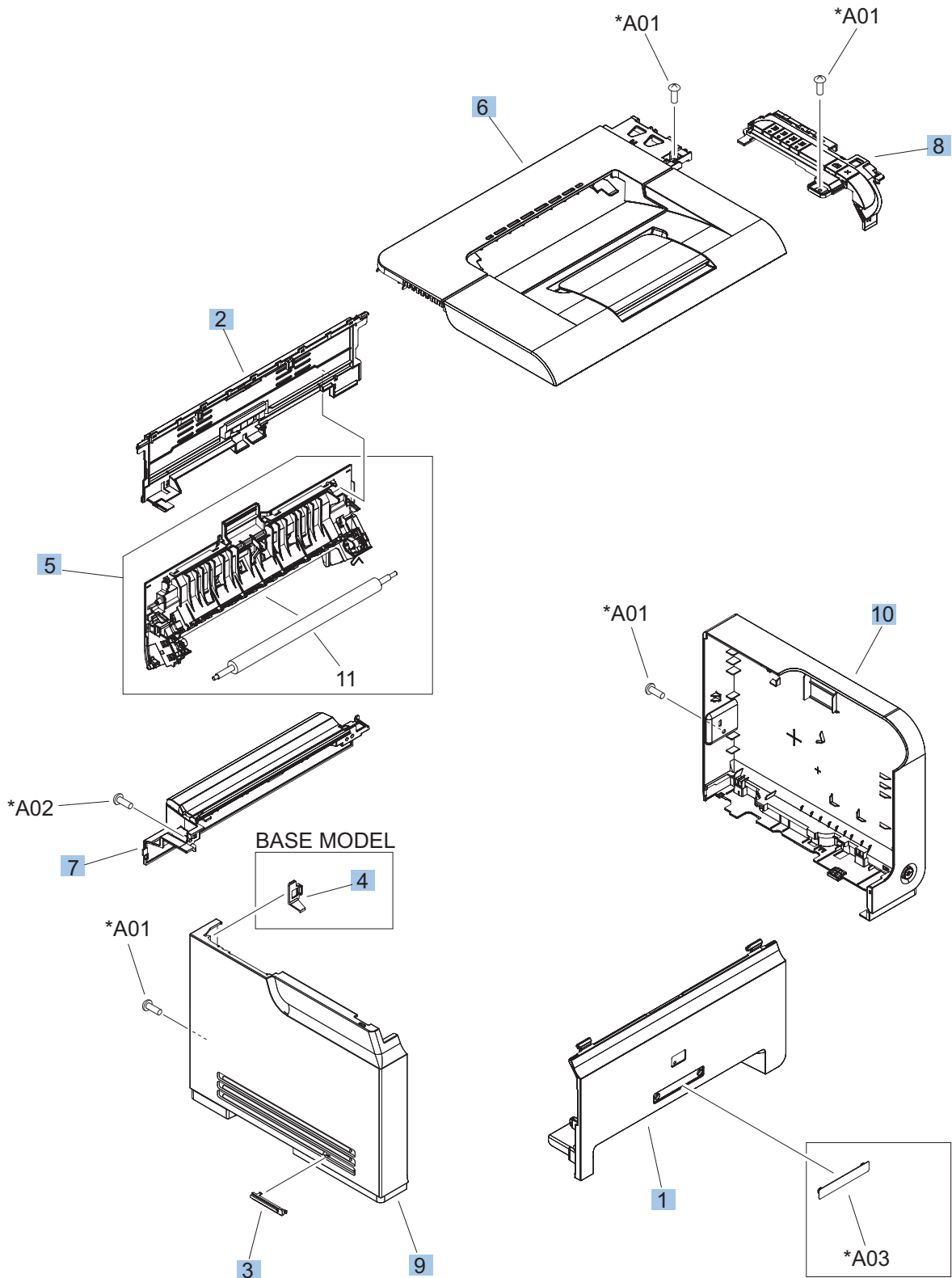


Table 3-6 Covers, panels, and doors

Ref	Description	Part number	Qty
1	Door, front (base model)	RM1-7219-000CN	1
1	Door, front (plus mode)	RM1-7275-000CN	1
2	Cover, fusing	RC2-9834-000CN	1
3	Cover, blanking	RC2-9866-000CN	1
4	Cover, network plug (base model)	RC2-9867-000CN	1
5	Rear cover/2nd transfer assembly	RM1-7216-000CN	1
6	Cover, top	RM1-7217-000CN	1
7	Cover, low-voltage power supply assembly	RM1-7273-000CN	1
8	Control panel assembly (base model)	RM1-7273-000CN	1
8	Control panel assembly (plus model)	RM1-7227-000CN	1
9	Cover, left	RM1-7231-000CN	1
10	Cover, right	RM1-7232-000CN	1
11	2ND Transfer roller assy.	RM1-7232-000CN	1

Internal assembly

Internal assembly

Figure 3-3 Internal assembly

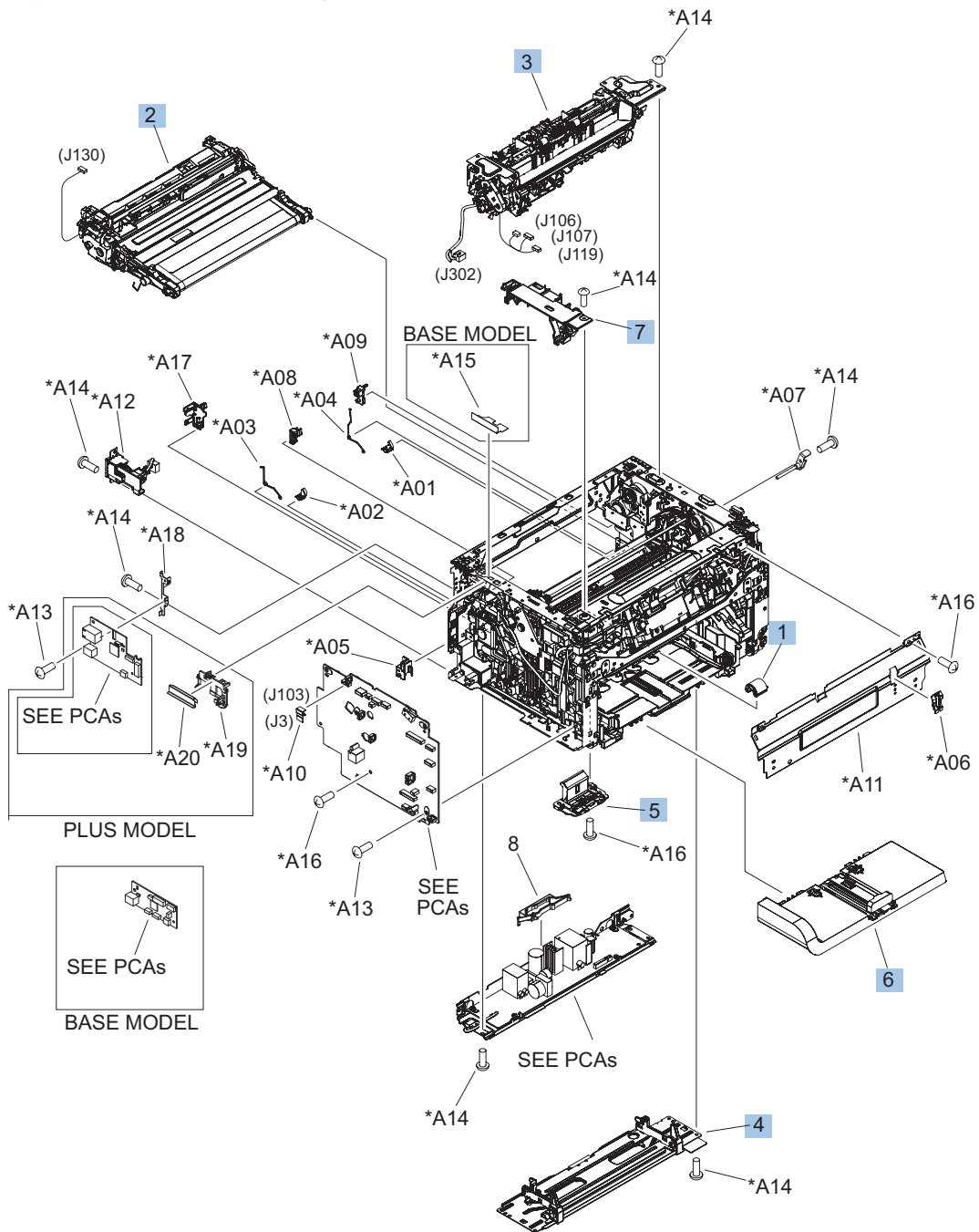
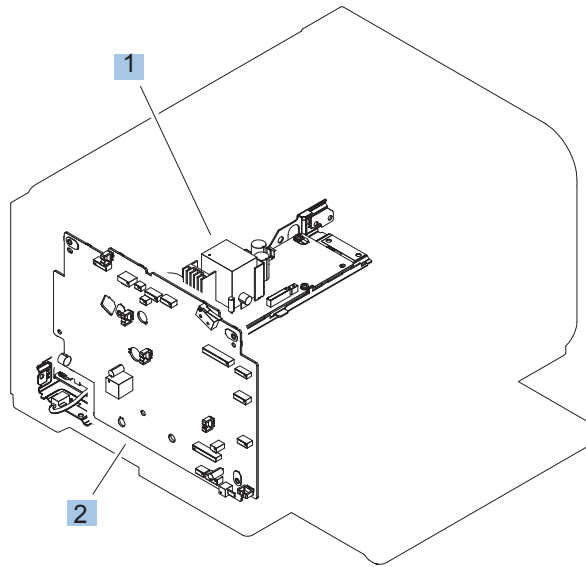


Table 3-7 Internal assembly)

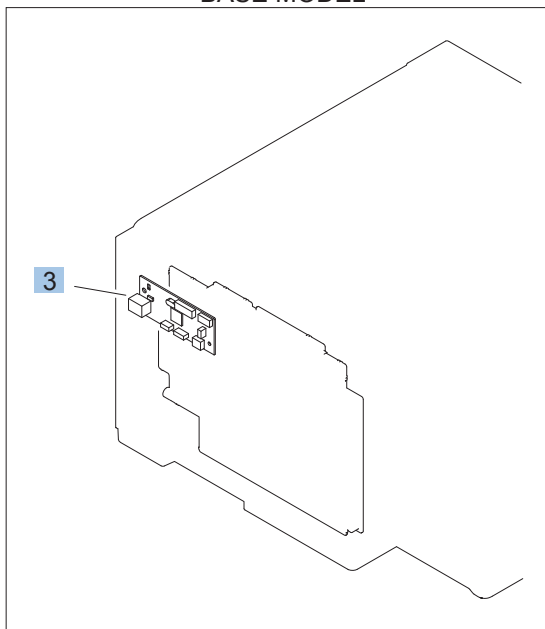
Ref	Description	Part number	Qty
1	Roller, pickup	RL1-2671-000CN	1
2	Intermediate transfer belt assembly (ITB)	RM1-7274-000CN	1
3	Delivery assembly, fuser (110-127 V)	RM1-7211-000CN	1
3	Delivery assembly, fuser (220 V)	RM1-7269-000CN	1
4	Plate, base	RM1-7213-000CN	1
5	Pad, separation	RM1-7228-000CN	1
6	Tray, main assembly	RM1-7276-000CN	1
7	Cover, inner	RM1-7218-000CN	1

PCAs

Figure 3-4 PCAs



BASE MODEL



PLUS MODEL

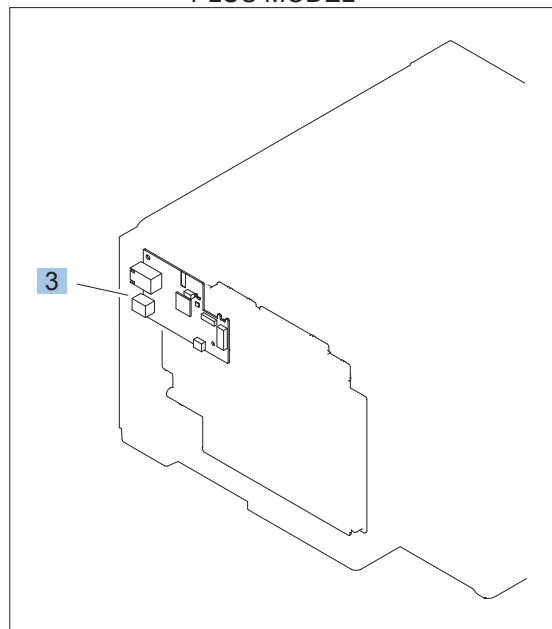


Table 3-8 PCAs

Ref	Description	Part number	Qty
1	Power supply, low-voltage (110-127 V)	RM1-7751-000CN	1
1	Power supply, low-voltage (220-240 V)	RM1-7752-000CN	1
2	PCA assembly, engine controller	RM1-7777-000CN	1
3	Formatter PCA (base model)	CE828-60001	1
3	Formatter PCA (plus model)	CE964-60001	1

Alphabetical parts list

Table 3-9 Alphabetical parts list

Description	Part number	Table and page
2ND Transfer roller assy.	RM1-7232-000CN	Covers, panels, and doors on page 105
Control panel assembly (base model)	RM1-7273-000CN	Covers, panels, and doors on page 105
Control panel assembly (plus model)	RM1-7227-000CN	Covers, panels, and doors on page 105
Cover, blanking	RC2-9866-000CN	Covers, panels, and doors on page 105
Cover, fusing	RC2-9834-000CN	Covers, panels, and doors on page 105
Cover, inner	RM1-7218-000CN	Internal assembly) on page 107
Cover, left	RM1-7231-000CN	Covers, panels, and doors on page 105
Cover, low-voltage power supply assembly	RM1-7273-000CN	Covers, panels, and doors on page 105
Cover, network plug (base model)	RC2-9867-000CN	Covers, panels, and doors on page 105
Cover, right	RM1-7232-000CN	Covers, panels, and doors on page 105
Cover, top	RM1-7217-000CN	Covers, panels, and doors on page 105
Delivery assembly, fuser (110-127 V)	RM1-7211-000CN	Internal assembly) on page 107
Delivery assembly, fuser (220 V)	RM1-7269-000CN	Internal assembly) on page 107
Door, front (base model)	RM1-7219-000CN	Covers, panels, and doors on page 105
Door, front (plus mode)	RM1-7275-000CN	Covers, panels, and doors on page 105
Formatter PCA (base model)	CE828-60001	PCAs on page 109
Formatter PCA (plus model)	CE964-60001	PCAs on page 109
Intermediate transfer belt assembly (ITB)	RM1-7274-000CN	Internal assembly) on page 107
Pad, separation	RM1-7228-000CN	Internal assembly) on page 107
PCA assembly, engine controller	RM1-7777-000CN	PCAs on page 109

Table 3-9 Alphabetical parts list (continued)

Description	Part number	Table and page
Plate, base	RM1-7213-000CN	Internal assembly) on page 107
Power supply, low-voltage (110-127 V)	RM1-7751-000CN	PCAs on page 109
Power supply, low-voltage (220–240 V)	RM1-7752-000CN	PCAs on page 109
Rear cover/2nd transfer assembly	RM1-7216-000CN	Covers, panels, and doors on page 105
Roller, pickup	RL1-2671-000CN	Internal assembly) on page 107
Tray, main assembly	RM1-7276-000CN	Internal assembly) on page 107

Numerical parts list

Table 3-10 Numerical parts list

Part number	Description	Table and page
CE828-60001	Formatter PCA (base model)	PCAs on page 109
CE964-60001	Formatter PCA (plus model)	PCAs on page 109
RC2-9834-000CN	Cover, fusing	Covers, panels, and doors on page 105
RC2-9866-000CN	Cover, blanking	Covers, panels, and doors on page 105
RC2-9867-000CN	Cover, network plug (base model)	Covers, panels, and doors on page 105
RL1-2671-000CN	Roller, pickup	Internal assembly) on page 107
RM1-7211-000CN	Delivery assembly, fuser (110-127 V)	Internal assembly) on page 107
RM1-7213-000CN	Plate, base	Internal assembly) on page 107
RM1-7216-000CN	Rear cover/2nd transfer assembly	Covers, panels, and doors on page 105
RM1-7217-000CN	Cover, top	Covers, panels, and doors on page 105
RM1-7218-000CN	Cover, inner	Internal assembly) on page 107
RM1-7219-000CN	Door, front (base model)	Covers, panels, and doors on page 105
RM1-7227-000CN	Control panel assembly (plus model)	Covers, panels, and doors on page 105
RM1-7228-000CN	Pad, separation	Internal assembly) on page 107
RM1-7231-000CN	Cover, left	Covers, panels, and doors on page 105
RM1-7232-000CN	Cover, right	Covers, panels, and doors on page 105
RM1-7232-000CN	2ND Transfer roller assy.	Covers, panels, and doors on page 105
RM1-7269-000CN	Delivery assembly, fuser (220 V)	Internal assembly) on page 107
RM1-7273-000CN	Cover, low-voltage power supply assembly	Covers, panels, and doors on page 105
RM1-7273-000CN	Control panel assembly (base model)	Covers, panels, and doors on page 105

Table 3-10 Numerical parts list (continued)

Part number	Description	Table and page
RM1-7274-000CN	Intermediate transfer belt assembly (ITB)	Internal assembly) on page 107
RM1-7275-000CN	Door, front (plus mode)	Covers, panels, and doors on page 105
RM1-7276-000CN	Tray, main assembly	Internal assembly) on page 107
RM1-7751-000CN	Power supply, low-voltage (110-127 V)	PCAs on page 109
RM1-7752-000CN	Power supply, low-voltage (220–240 V)	PCAs on page 109
RM1-7777-000CN	PCA assembly, engine controller	PCAs on page 109

